

LA6

■ 24V DC model



* In Smart Mode you can use the flashing operation.

Ultra-bright multi-color LEDs capable of producing 21 distinct colors.
Built-in audible alarm is capable of producing 11 distinct tones.
Single part number - streamlines your supply chain.
Smart Mode allows users to create light motion patterns to more clearly define more complex equipment statuses.
USB port to locally program device.
Available in DC24V and AC100-240V (M2 type)

■ Examples

- Display duration of equipment down-time - Raise awareness to decrease non-operational time
- Display time remaining for automated equipment process - Reduce stress of workers responsible for multiple equipment
- Display takt time for an assembly line - Stabilize quality by leveling work speed
- Display the work speed for manual process lines - Raise awareness of the number of processes involved by displaying takt time
- Display remaining material by combining sensors - Assist with refills of outdoor tanks or cutting oil
- Display detailed information on the equipment status - Remotely review information shown on the operation panel

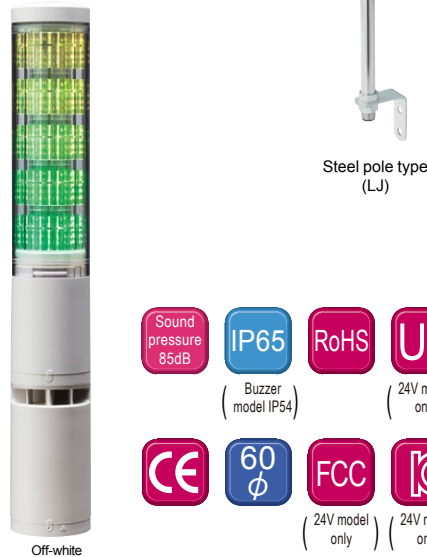
Model	Rated Voltage	LED Tiers	Body Color	Specifications
LA6-3DTNWB-RYG	24V DC	3 tiers	Off-white	Direct mount, terminal block, with buzzer
LA6-3DTNWN-RYG			Off-white	Direct mount, terminal block, without buzzer
LA6-3DTNUB-RYG			Silver	Direct mount, terminal block, with buzzer
LA6-3DTNUN-RYG			Silver	Direct mount, terminal block, without buzzer
LA6-3DLJWB-RYG			Off-white	L-type Pole, Cabtyre, with buzzer
LA6-3DLJWN-RYG			Off-white	L-type Pole, Cabtyre, without buzzer
LA6-3DWJWB-RYG			Off-white	Direct mount, Cable, with buzzer
LA6-3DWJWN-RYG			Off-white	Direct mount, Cable, without buzzer
LA6-3DWJUB-RYG			Silver	Direct mount, Cable, with buzzer
LA6-3DWJUN-RYG			Silver	Direct mount, Cable, without buzzer
LA6-5DTNWB-RYGBC		5 tiers	Off-white	Direct mount, terminal block, with buzzer
LA6-5DTNWN-RYGBC			Off-white	Direct mount, terminal block, without buzzer
LA6-5DTNUB-RYGBC			Silver	Direct mount, terminal block, with buzzer
LA6-5DTNUN-RYGBC			Silver	Direct mount, terminal block, without buzzer
LA6-5DLJWB-RYGBC			Off-white	L-type Pole, Cabtyre, with buzzer
LA6-5DLJWN-RYGBC			Off-white	L-type Pole, Cabtyre, without buzzer
LA6-5DWJWB-RYG			Off-white	Direct mount, Cable, with buzzer
LA6-5DWJWN-RYG			Off-white	Direct mount, Cable, without buzzer
LA6-5DWJUB-RYG			Silver	Direct mount, Cable, with buzzer
LA6-5DWJUN-RYG			Silver	Direct mount, Cable, without buzzer
LA6-5AWJWB-RYGBC	100 - 240V AC		Off-white	Direct mount, Cabtyre, with buzzer

Specifications

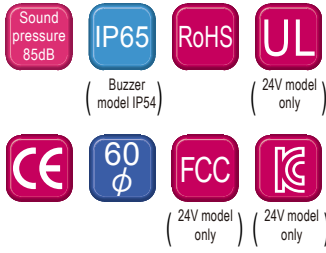
Model	LA6-□□□□□□ (see model code)			LA6-5AWJWB		
Rated Voltage	24V DC			100 - 240V AC (50Hz / 60Hz)		
Operating Voltage Range	Rated Voltage ±10%			90 - 250V AC (50Hz/60Hz)		
Rated Power Consumption	Standard	LA6-5D□□□□-RYGBC	5W	LA6-5D□□□□-RYGBC	6.5W	
		LA6-3D□□□□-RYG3.5W		LA6-3D□□□□-RYG4.5W		
	Maximum	LA6-5D□□□□-YYYYY7W		LA6-5D□□□□-YYYYY8W		
		LA6-3D□□□□-YYY4.5W		LA6-3D□□□□-YYY5.5W		
Environmental Conditions*	Buzzer sound: No. 1, maximum volume					
Signal Wire Current	Maximum 70mA			Maximum 20mA		
Ambient Operating Temperature	-25°C to +60°C					
Storage Ambient Temperature	-25°C to +60°C					
Mounting location	Indoors					
Protection Rating	IP65 (buzzer model: IP54) IEC 60529					
Environmental Conditions*	Mounted in upright position					
Display color	Red (1000mcd), amber (1700mcd), green (2600mcd), blue (1000mcd), white (1250mcd) purple (800mcd), pink (850mcd), lemon yellow (2150mcd), sky blue (2150mcd)					
Flashing Rate	60±2 /minute					
Buzzer Sound (Frequency Typ)	No.1	2400Hz	Beep (continuous beep)	No.2	2400Hz	Fast Intermittent (beep 0.05 sec. / off 0.05 sec.)
	No.3	2400Hz	Slow Intermittent (beep 1.5 sec. / off 1.5 sec.)	No.4	2400Hz	Medium Intermittent (beep 0.5 sec. / off 0.5 sec.)
	No.5	3600Hz	Beep (continuous beep)	No.6	3600Hz	Fast Intermittent (beep 0.05 sec. / off 0.05 sec.)
	No.7	3600Hz	Slow Intermittent (beep 1.5 sec. / off 1.5 sec.)	No.8	3600Hz	Medium Intermittent (beep 0.5 sec. / off 0.5 sec.)
	No.9	2400Hz & 3375Hz	Fast Alternating Intermittent (0.25sec/0.25sec)	No.10	2400Hz & 3600Hz	Fast Alternating Intermittent (0.25sec/0.25sec)
	No.11	4000Hz & 4800Hz	Medium Alternating Intermittent (0.5sec/0.5sec)			
	Sound Pressure Level	Maximum: 85dB				
	Environmental Conditions*	Buzzer sound No.1, in front of the buzzer aperture at a distance of 1 m				
	Volume Control	Four setting levels (Factory default: Maximum)				
	Data Transmission Interface	Main Unit	USB micro-B socket, Female			
			USB2.0 / 1.1 interface, Transmission rate: USB2.0 / 1.1 / 1.0			
		Micro USB Cable (not included), Data Communication / Charging Cable Connector Type: USB (Type A) Male - USB (micro-B) Male				
Data Creation Application Software	Proprietary Application Software (Download from our website)					
Mass (±10%)	LA6-3DTN□	480g	LA6-5DTN□B	590g	LA6-5AWJWB	740g
	LA6-3DTN□N	420g	LA6-5DTN□N*	530g		
	LA6-3DWJ□	450g	LA6-5DWJ□B*	560g		
	LA6-3DWJ□N	400g	LA6-5DWJ□N	510g		
	LA6-3DLJ□	980g	LA6-5DLJ□B	1090g		
	LA6-3DLJ□N	930g	LA6-5DLJ□□	1040g		
Conformity standards	UL508, CSA-C22.2 No. 14		EMC Directives EN 61000-6-4, EN 61000-6-2		EMC directives EN61000-6-3, EN61000-6-2	
	FCC Part15 Subpart B Class A		KC (KN 61000-6-4, KN 61000-6-2)		Low Voltage Directives IECEN 60947-5-1, EN62471	
	RoHS Directive EN 50581				RoHS Directive EN 50581	
References	Conforms to CE Marking UL Recognized Component (File No.E215660)				Conforms to CE Marking	

* Overseas only

■ 100 - 240V AC model



Steel pole type (LJ)



Colors	Signal Tower Mode: 9 colors / Smart Mode: 21 colors
Globe	Polycarbonate resin, high shock resistance and heat resistance

Network
Signal Tower
Signal Light
Revolving Warming Light
Cube Tower
Audibles
Hybrid Signaling Devices
LED Illumination
Options

New Information Display Style

A new concept is born for the Information Display Terminal.

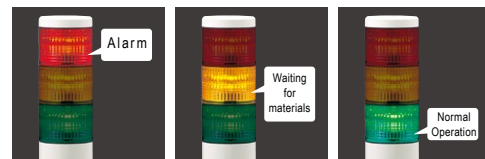
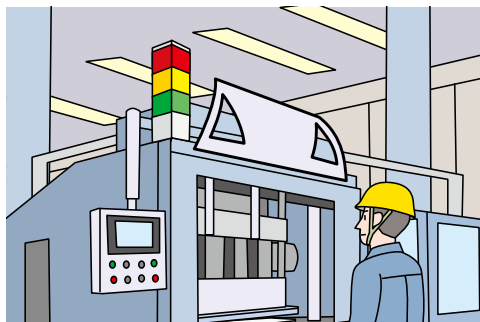
Previous products notified us of the status of equipment with lights and sound only. But with our new products, you can also display the equipment operation process.

As the CPU is embedded in the Main Unit, our new units do not require an external control program. By combining a maximum 21 luminous colors, 3 operating modes, and 11 buzzer sounds, you can display all kinds of information, such as time, amounts remaining, and levels.

As a result, without a large capital investment you can overcome challenges such as "managing the cycle time of equipment" and "visualizing non-operating time", which are common pain-points for manufacturing sites.

An information display terminal for the visualization age, the LA6 can solve –with your imagination– all sorts of problems.

Traditional Information Display



Display Equipment Status

Traditional information displays showed only the equipment status. There was no understanding about the equipment status provided in real time.

	Signal Tower	Information Signal Tower LA6
Colors	Maximum 5 Colors	Maximum 21
Color Setting	Static	Flexible
Sound	2 tones	11 tones

New Information Display



Display elapsed time until complete

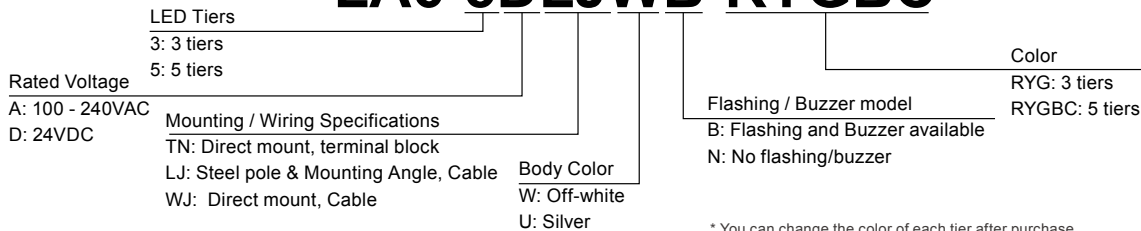
You can visualize the progress, amount of material remaining, and so on, in real time. By recognizing the progress of processes and amount of various materials that remain, you can understand which equipment needs attention first, and reduce the stress of workers who are responsible for multiple equipment. You can also display the amount of time that has elapsed from when a problem occurred, allowing you to respond quickly.



- Work Progress Time
- Elapsed Time for Problem
- Amount Remaining
- Level
- All Tiers Identification

- Network
- Signal Tower
- Signal Light
- Revolving Warning Light
- Cube Tower
- Audibles
- Hybrid Signaling Devices
- LED Illumination
- Options

LA6-5DLJWB-RYGBC

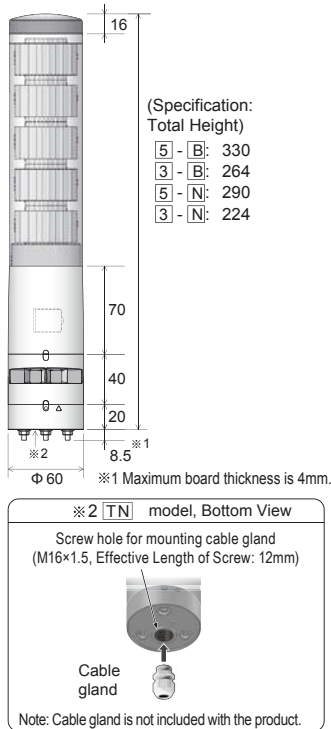


Example: LA6-5DTNUB-RYGBC

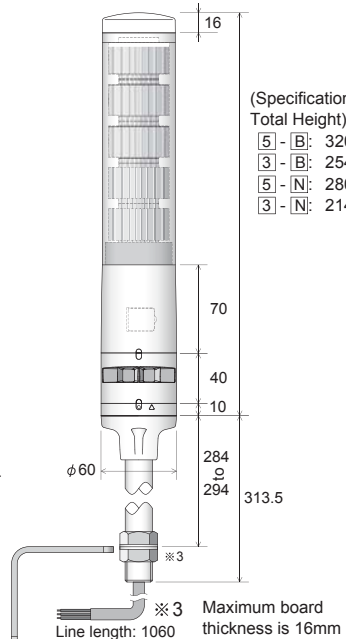
- LED Tiers: 5
- Mounting / Wiring Specifications: Direct Mount, Terminal Block
- Body Color: Silver
- Colors: Red, Amber, Green, Blue, White
- Flashing / Buzzer model: Flashing and Buzzer available
- Rated Voltage: 24V DC

Dimensions (mm)

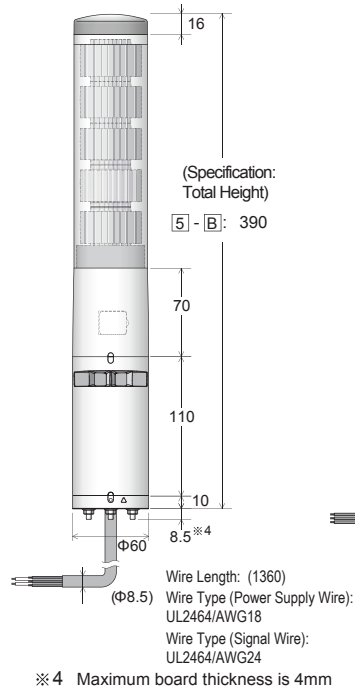
■ **TN** Direct mount, Terminal block model



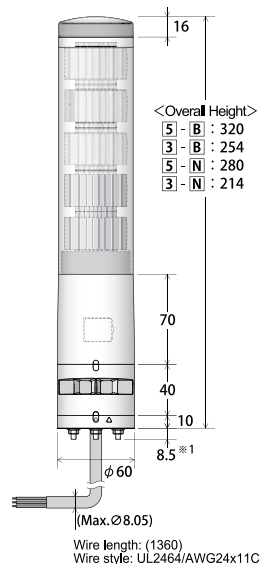
■ **LJ** Steel pole & Mounting Angle Cable, Specifications



■ **WJ** Direct mount, Cable model
A AC 100 - 240V AC model

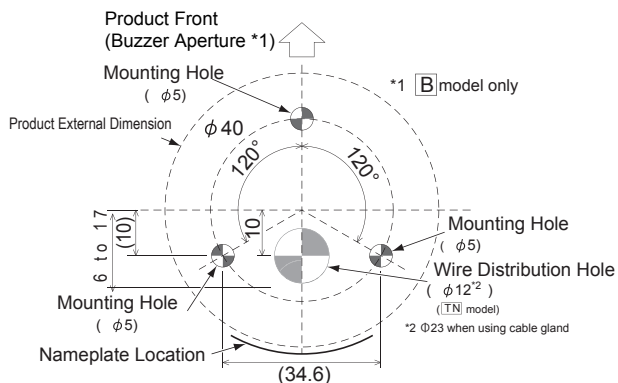


■ **WJ** Direct mount, with cable connection
D 24V DC Type

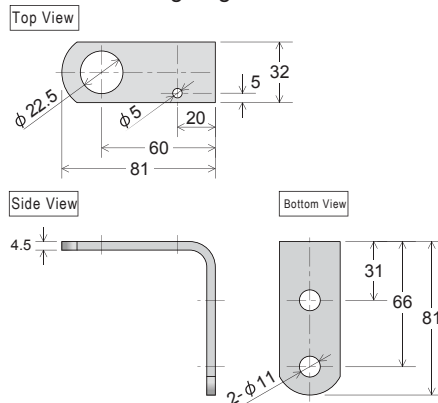


TN Direct mount, Terminal block model

WJ Direct mount, Cable model Installation Dimension Drawings

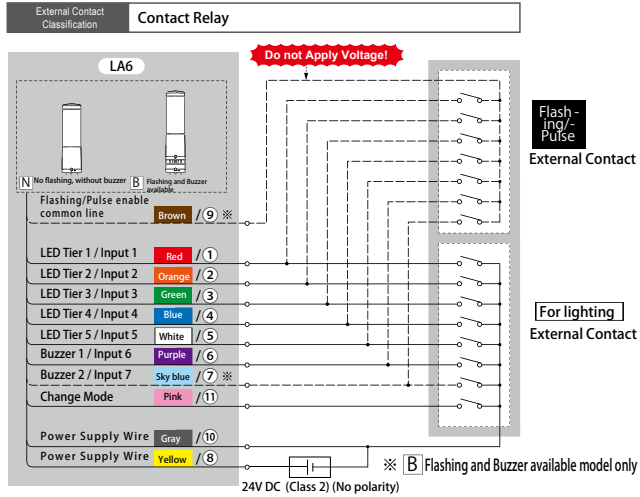


LJ The following diagram shows the dimensions of the Mounting Angle included with the Steel Pole & Mounting Angle model.

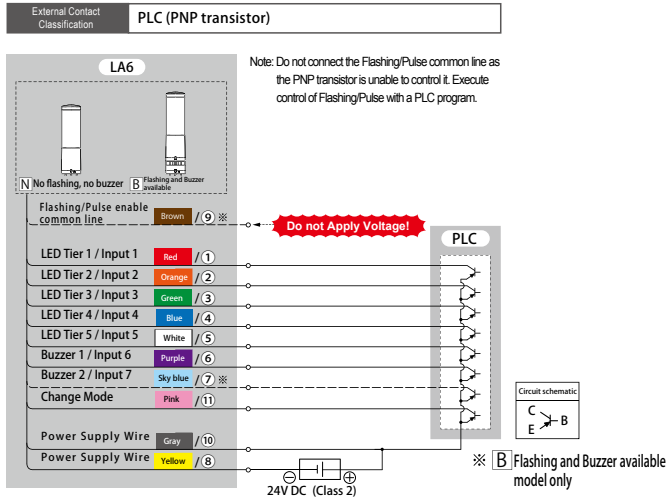
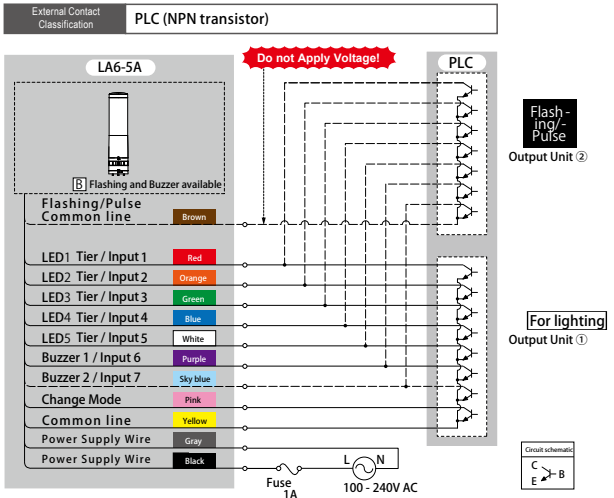
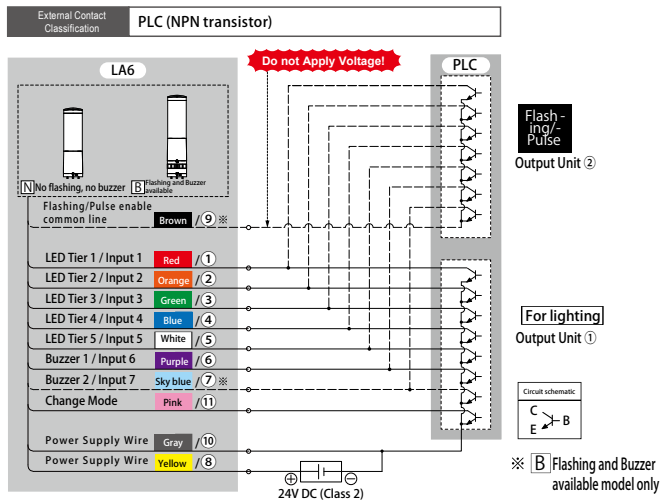
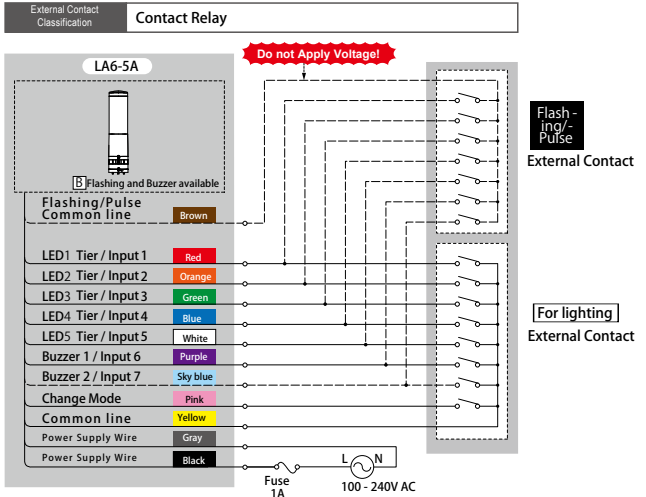


Wiring Diagram

24V DC model



100 - 240V AC model



Wiring Example / Legend

LED Tier 1 / Input 1 Red / 1

Function Name [Signal Tower Mode] / [Smart Mode]

Pin Number (TN Direct Mount, Screw-less Terminal Block model)

The color of wire (Cable model only)

Note: The color of the wire does not correspond to the color of the LED light.

Rated Fuse Current

250V / 1 A

5 x 20 mm Fast-blow glass tube fuse

Inrush Current value (cold start)

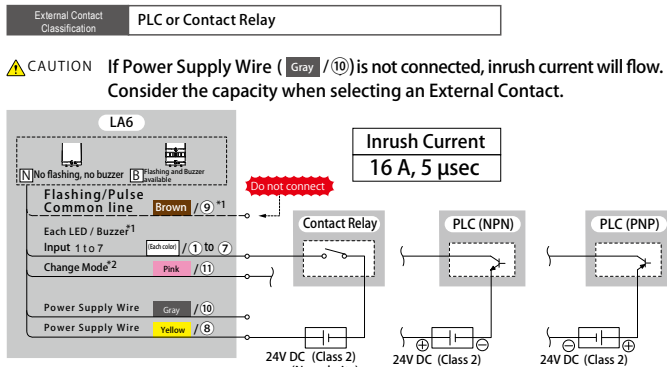
With Ambient Operating Temperature 25°C	16 A, 2 ms
With Ambient Operating Temperature 50°C	50 A, 2 ms

NOTICE

If you are not using a regulated power supply, use a fuse that meets or exceeds Class CC.

Signal Wire Contact Capacity

Current Capacity	100 mA or higher
Withstand Voltage	35V DC or more
Leakage Current	0.1 mA or less
Voltage when ON (V _{sat})	1V or less



When using Smart Mode (Mode Change Pink)

	① Time Trigger Type	② Pulse Trigger Type	③ Single Display Type
Input 1 Red	Display Input (Maximum 15 binary inputs)	Display Input (Maximum 15 binary inputs)	Display Input (Maximum 31 binary inputs)
Input 2 Orange			
Input 3 Green			
Input 4 Blue			
Input 5 White	STOP	Trigger	
Input 6 Purple	Mute	Mute	Mute
Input 7 Sky blue	Clear	Clear	Clear
Switch Pink	At Input		

* For connection diagrams, please see the Instruction Manual.

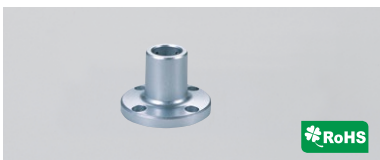
■ Optional Parts



Mounting Pole: SZ-70L



Circular mounting Bracket: SZ-010



Circular mounting Bracket : SZ-016A



Wallmount Bracket: SZK-003W



Stationary installation bracket (magnetic installation):
SZW-060W

Supported type: LA6-5DTNWB-POE
LA6-5AWJWB-RYGBC



■ Replacement Parts



Head Cover
Off-white B31310001-7F1
Silver B31310001-9F1



USB Cover
Off-white B22100071-7F1
Silver B22100071-9F1



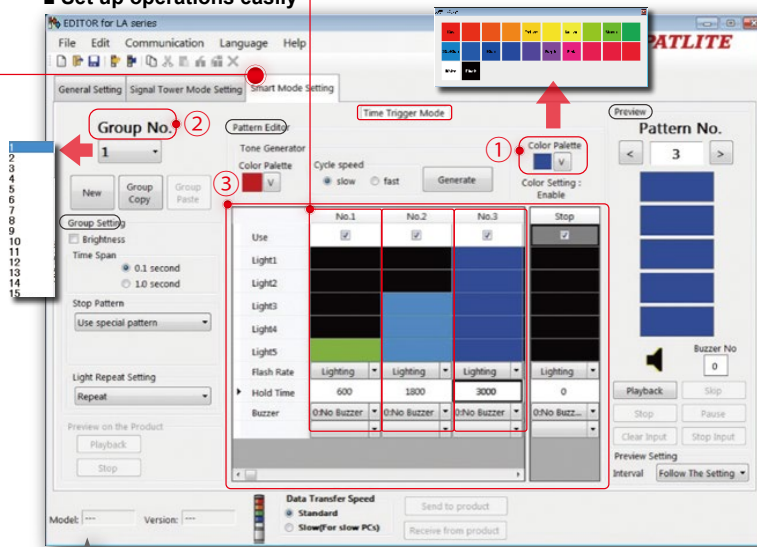
Waterproof Ring B (2 pieces)
B25110042-F1



Pole Bracket (Off-white only)
(Pole waterproof ring, screws included)

B22210134-7F1
* A waterproofing ring for the pole is available.

■ Set up operations easily



* The screen above may be different from the actual screen (displayed buttons may vary depending on usage)

① Color settings (maximum 21 colors)

Select any color from the 21 color palette.

② Group registration (maximum 15 groups*)

After setting up operations, you can register a series of operations as a group. Register a maximum 15 groups.

* You can register up to 31 groups in a Single Display Type.

③ Operation Settings (maximum 63 patterns)

Set up operations by selecting colors (21 colors), flashing frequency, illumination duration * (maximum 3,600 seconds), and buzzer sound (11 tones).

* In Signal Tower mode, you can select from 9 colors and only 3 buzzer sounds.

● Settings

- Group Settings (various detailed setup is possible)

- *Dimmer
- *Time span (0.1 / 1.0 seconds)
- *Repeating Light Setting

- Generating sign patterns (9 colors)

- *Color selection, cycle speed (slow / fast)

- Simulation

You can verify the luminous patterns on applications without having to send data to the actual machine.

- Transmission with actual machine

Not only can you send data to the machine, but you can also load data from the machine.

* Even when the machine is off, you can still send data with USB bus power only.

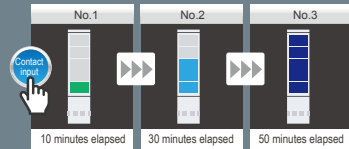
Smart Mode



1. Time Trigger Type

Maximum Display Patterns	63 Patterns
Maximum Number of Groups	15 Groups

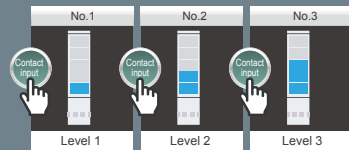
You can specify the timing for pattern transitions with "Editing Software".



2. Pulse Trigger Type

Maximum Display Patterns	63 Patterns
Maximum Number of Groups	15 Groups

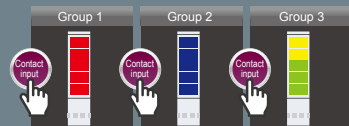
Use input (one shot pulse) to set up pattern transition timing.



3. Single Display Type

Maximum Display Patterns	—
Maximum Number of Groups	31 Groups

Call and trigger by combining the ON/OFF value of inputs 1 to 5.



Signal Tower Mode



No editing software required. Set up colors using the Setting button.

